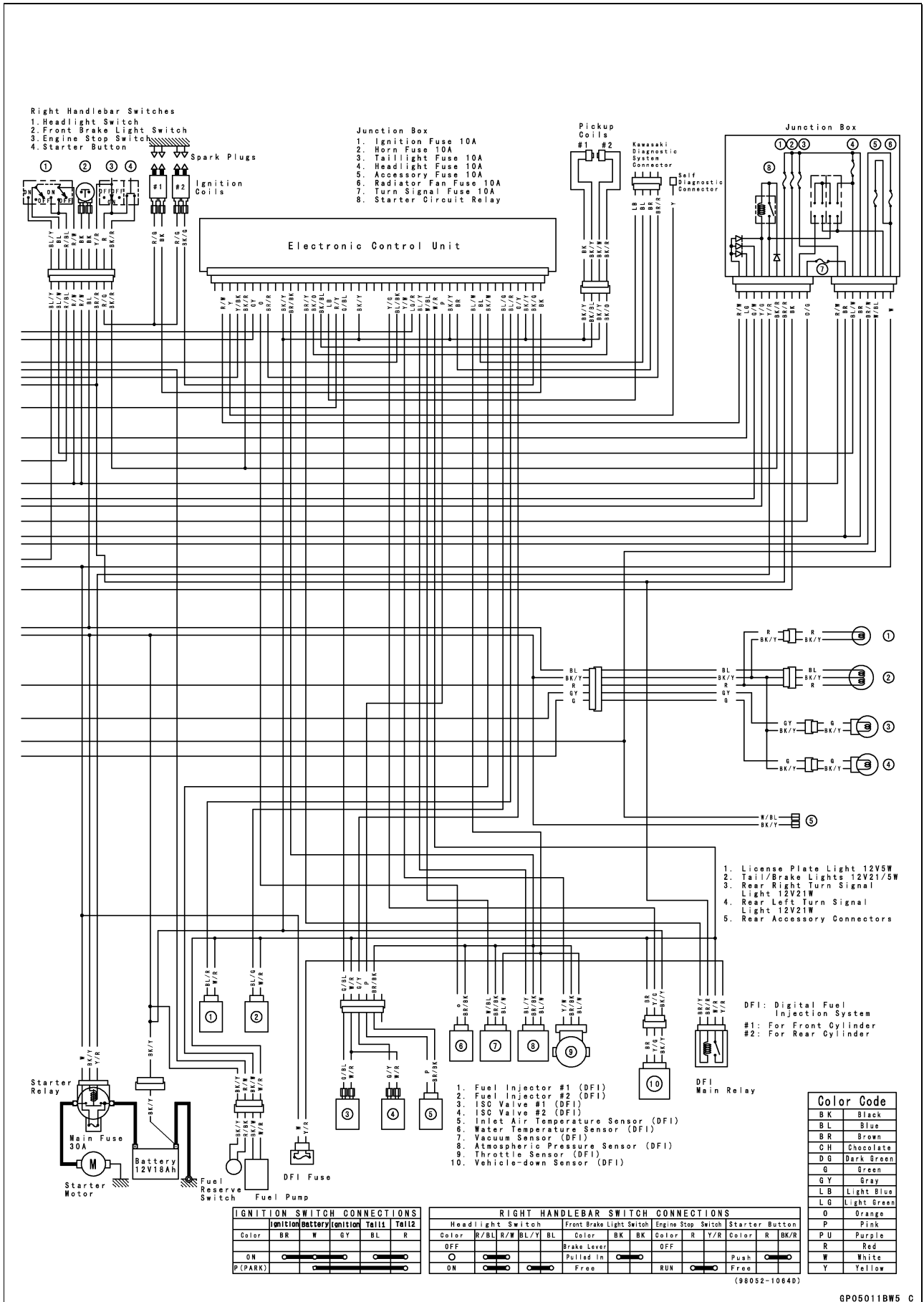


ELECTRICAL SYSTEM 16-13

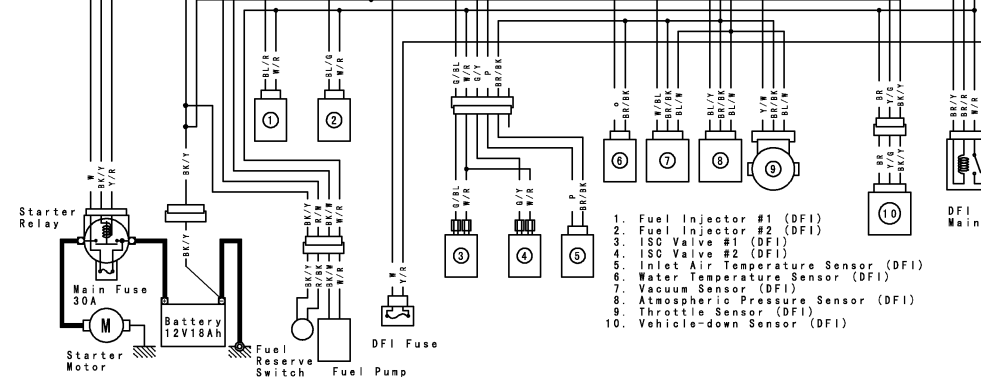
VN1500-P1 Wiring Diagram (Other Than AU, CA and US)



- Right Handlebar Switches
1. Headlight Switch
 2. Front Brake Light Switch
 3. Engine Stop Switch
 4. Starter Button

- Junction Box
1. Ignition Fuse 10A
 2. Horn Fuse 10A
 3. Taillight Fuse 10A
 4. Headlight Fuse 10A
 5. Accessory Fuse 10A
 6. Radiator Fan Fuse 10A
 7. Turn Signal Fuse 10A
 8. Starter Circuit Relay

- Junction Box
- ①
 - ②
 - ③
 - ④
 - ⑤
 - ⑥
 - ⑦
 - ⑧



1. License Plate Light 12V5W
2. Tail/Brake Lights 12V21/5W
3. Rear Right Turn Signal Light 12V21W
4. Rear Left Turn Signal Light 12V21W
5. Rear Accessory Connectors

DFI: Digital Fuel Injection System
 #1: For Front Cylinder
 #2: For Rear Cylinder

BK	Black
BL	Blue
BR	Brown
CH	Chocolate
DB	Dark Green
G	Green
GY	Gray
LB	Light Blue
LG	Light Green
O	Orange
P	Pink
PU	Purple
R	Red
W	White
Y	Yellow

	Ignition	Battery	Ignition	Tail12	Tail12
Color	BR	W	GY	BL	R
ON	○	○	○	○	○
P (PARK)	○	○	○	○	○

Headlight Switch	Front Brake Light Switch	Engine Stop Switch	Starter Button					
Color	R/BL R/W	BL/Y BL	Color	BK BK	Color	R Y/R	Color	R BK/R
OFF	○	○	○	○	OFF	○	○	○
Brake Lever	○	○	○	○	Push	○	○	○
Pull In	○	○	○	○	Free	○	○	○
ON	○	○	○	○	RUN	○	○	○

(98052-1064D)